

MSR8T

Description

The MSR8T has 1 N.C. single channel input for use with gate interlocks and emergency stop buttons in lower risk applications.

The MSR8T has output monitoring that can accommodate an automatic/manual reset. Automatic/manual reset can use a jumper or can be used to check operation of the contacts.

The MSR8T has 3 N.O. safety outputs and 2 N.C. auxiliary outputs. The safety outputs have independent and redundant internal contacts to help ensure the safety function. The auxiliary contacts are nonsafety outputs intended to provide an external signals about the status of the safety outputs.

The MSR8T can be used either as an extension unit to other Minotaur units or as a independent single channel input device. When used as an extension unit, the MSR8T inputs are connected to one of the outputs on the host unit. The outputs on the MSR8T will then mimic the outputs on the host unit.

Features

- Category 3 per EN 954-1
- Stop category 0
- One N. C. single channel input
- Three N.O. safety outputs
- Two N.C. auxiliary output
- 45 mm wide housing

Specifications



Standards	EN 954-1, ISO13849-1, IEC/EN 60204-1, IEC 60947-5-1, ANSI B11.19, AS4024.1
Category	Cat. 3 per EN 954-1 (ISO 13849-1)
Certifications	CE Marked for all applicable directives, cULus, and c-Tick
Power Supply	24V AC/DC or 110/230V AC 50/60 Hz
Power Consumption	<4 VA
Safety Inputs	1 N.C.
Input Resistance, Max.	200 Ω
Reset Type	Automatic/Manual
Safety Outputs	3 N.O. Safety; 2 N.C. Auxiliary
Output Utilization per IEC60947-5-1 (Inductive)*	B300 AC-15; 4 A @ 250V AC, 4 A @ 120V AC DC-13; 3 A @ 24V DC
Thermal Current	4 A (nonswitching)
Fuses, Input	500 mA time lag (internal, replaceable)
Fuses, Output	5 A quick acting (external)
Switching Current @ Voltage, Min.	10 mA/10V
Maximum Drop-Out Time	90 ms
Status Indicators	Red = Power On Green = Output On
Rated Impulse withstand Voltage	2500V
Installation Group	C in accordance with VDE 0110
Pollution Degree	3
Operating Temperature [C (F)]	-10...55° (14...131°)
Relative Humidity	90%
Enclosure Type Rating	IP40 (NEMA 1), DIN 0470
Terminal Protection	IP20, DIN 0470
Conductor Size, Max.	1 x 2.5 mm ² (14 AWG) stranded, 1 x 4 mm ² (12 AWG) solid
Torque Settings—terminal screws	1 N•m (8.85 lb•in)
Material	Red Polycarbonate
Mounting	35 mm DIN Rail
Weight [g (lb)]	210 (0.46)
Electrical Life	220V AC/4A/880VA $\cos\phi = 0.35$ - 100,000 operations 220V AC/1.7A/375VA $\cos\phi = 0.6$ - 500,000 operations 30V DC/2A/60W - 1,000,000 operations 10V DC/0.01A/0.1W - 2,000,000 operations
Mechanical Life	2,000,000 operations
Vibration	0.75 mm (0.30 in.) peak, 10...55 Hz
Shock	30 g, 11 ms half-sine

* See Output Ratings on **Output Ratings** for details. Consult factory for ratings not shown.

Product Selection

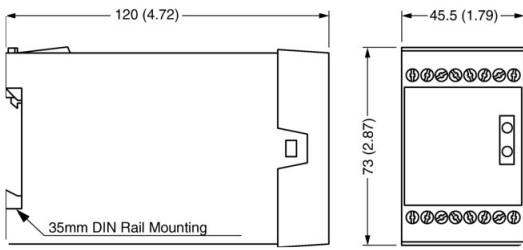
Inputs	Safety Outputs	Auxiliary Outputs	Power Supply	Cat. No.
1 N.C.	3 N.O.	2 N.C.	24V AC/DC	440R-E23030
			110/230V AC	440R-E23031

Accessories

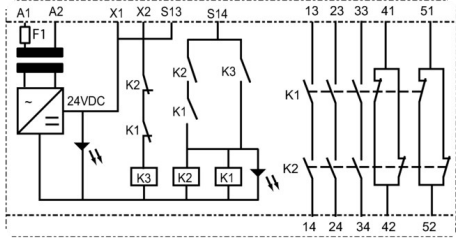
Description	Page Number	Cat. No.
500 mA fuse—Bussmann Cat. No. ETF-500 mA		440R-A31562

Approximate Dimensions

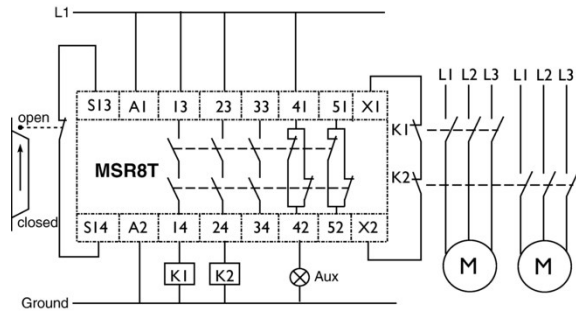
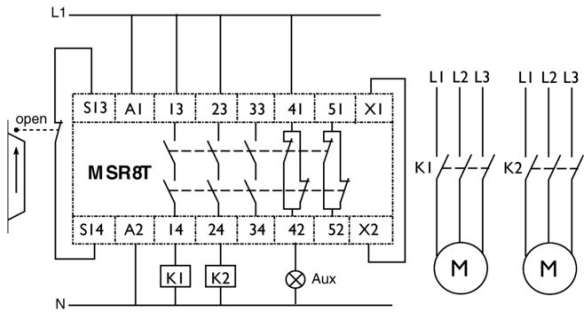
Dimensions are shown in mm (in.). Dimensions are not intended to be used for installation purposes.



Block Diagram



Typical Wiring Diagrams



Single-Channel Gate Interlock, Automatic Reset, Single-Channel Output, No Monitored Output Dual-Channel E-Stop, Manual Reset, Dual-Channel Output, Monitored Output

Application Details

